

# Goldendale Community Garden

Brought to you by the Central Klickitat County Park & Recreation District

Please complete this form so we can formalize your renting and participation in the Community Garden. Please return it to the CKCPRD Swimming Pool during regular business hours.

Name: \_\_\_\_\_

Address: \_\_\_\_\_ City, State, Zip \_\_\_\_\_

Email address: \_\_\_\_\_

Phone Number: \_\_\_\_\_

Plot Sizes (approximate measurements):	<u>10' by 4'6"</u>	<u>16' by 4'</u>	<u>20' by 4'</u>
Cost: \$1 per lineal foot-	\$10	\$16	\$20

Annual fees are based on a garden season, March 15 through October 31. Scholarships are available on a limited basis.

Please indicate the desired plot number(s) see map: \_\_\_\_\_

\*\*\*\*\*

### Staff will complete this portion:

Plot Number(s): \_\_\_\_\_ Receipt Number: \_\_\_\_\_

\*\*\*\*\*

### Community Garden Guidelines:

Each gardener is responsible for the maintenance and upkeep of their garden plot. Watering, weeding, harvesting and any other garden related maintenance are all the responsibility of the gardener. Gardeners may arrange for other gardeners to water their plots. Unattended watering is not allowed.

Tools will be made available during the garden season. A limited number of tools, hoses and watering equipment will be available in the community garden storage shed

Each gardener will be given the combination to the garden and the storage shed for access to tools and watering equipment. Gardeners are responsible for the combination and should not share it with others who are not gardeners.

Children are welcome in the garden but must be accompanied by an adult and must be supervised at all times.

Dogs are not allowed in the garden area.

Each gardener must complete a Release of all Claims/Waiver form before any work in the garden can begin.

Garden plots should be cared for at least once a week. If you have a situation where you are unable to care for your garden, you can have someone take care of your plot in your absence. You can leave a message at the swimming pool office and we can help to make your plot is watered.

Gardeners from the previous year will be given first right to return to their previous year's plot. Then garden plots will be rented starting at the east end (parking lot side) of the garden progressing westerly (towards Little League and Ekone Park). By moving westerly with the rented garden plots, watering of those plots will be easier with the hose(s) likely remaining closer to the majority of the active plots. Those plots not rented will remain covered to prohibit the growth on unwanted weeds. Preference for next year's plots will be given to this year's participants first.

Plot fees are due in full when a plot is rented. A limited number of scholarships are available.

Gardeners may harvest vegetables and flowers from their garden plot only, and their harvest is for their personal use and disposal.

Please dispose of weeds and plant materials in designated compost areas.

Organic gardening methods are preferred. If non-organic fertilizers are used, please strictly limit them to your specific garden plots.

At the end of the growing season, gardeners are responsible for clearing their plot of all plant material and leaving the plot as they found it in the spring.

The garden season will run March 15<sup>th</sup> through October 31<sup>st</sup> annually, weather permitting.

A copy of the guidelines will be provided with each rental agreement. If a gardener has any concerns or comments, please leave a message at the swimming pool office, or call (509) 773-0506. The message will be forwarded to the CKCPRD Board and a member will contact you within 72 hours.

## Goldendale Community Garden: Waiver

In consideration of the acceptance of my participation in the community garden

I hereby agree to comply with the rules/guidelines of the community garden;

For myself, my executors, administrators, heirs, next of kin, successors and assigns, I hereby:

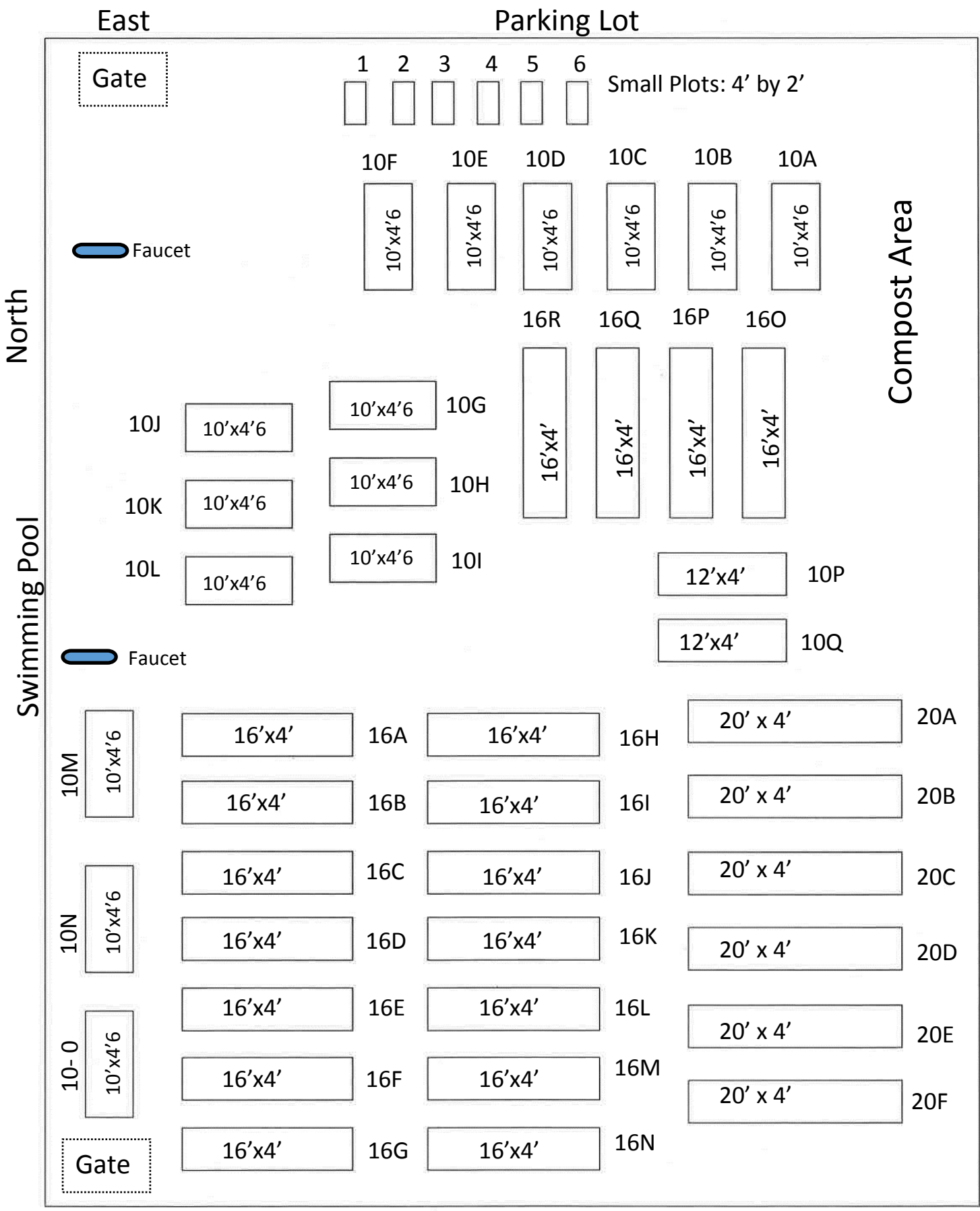
- Waive and release all claims that I may have against the community garden, its members and volunteers, the Board of Directors and employees of the Central Klickitat County Park and Recreation District or any one or more of them or their executors, administrators, heirs, next of kin, successors or assigns (the releases) including any and all claims for damage caused by the negligence of any of them arising out of my participation in the garden and its related activities, together with any costs, including attorney's fees, that may be incurred as a result of such claim, whether valid or not, and
- Indemnify and hold harmless the releases and each of them against any such claim that I or my guests or any one or more of my or their executors, administrators, heirs, next of kin, successors or assigns may have or assert and against any costs, including attorney's fees with respect thereto.
- I hereby acknowledge I have sole responsibility for my personal possessions that are used or stored at the community garden.
- I hereby consent to receive medical treatment which may be advised in the event of any injury, accident and/or illness while at the community garden
- I hereby permit the use of my name and picture in broadcasts, telecasts and the press as they pertain to the community garden
- I hereby agree that in the event of a situation beyond the control of the CKCPRD such as an "act of God" that may destroy your garden crop, I will release all claims against the CKCPRD.

---

Signature of Participant

Date

Parental/Guardian Consent, in needed



For water efficiency and weed control; plots will be rented at the east end of the garden first then moving westerly.

West

# Community Garden

